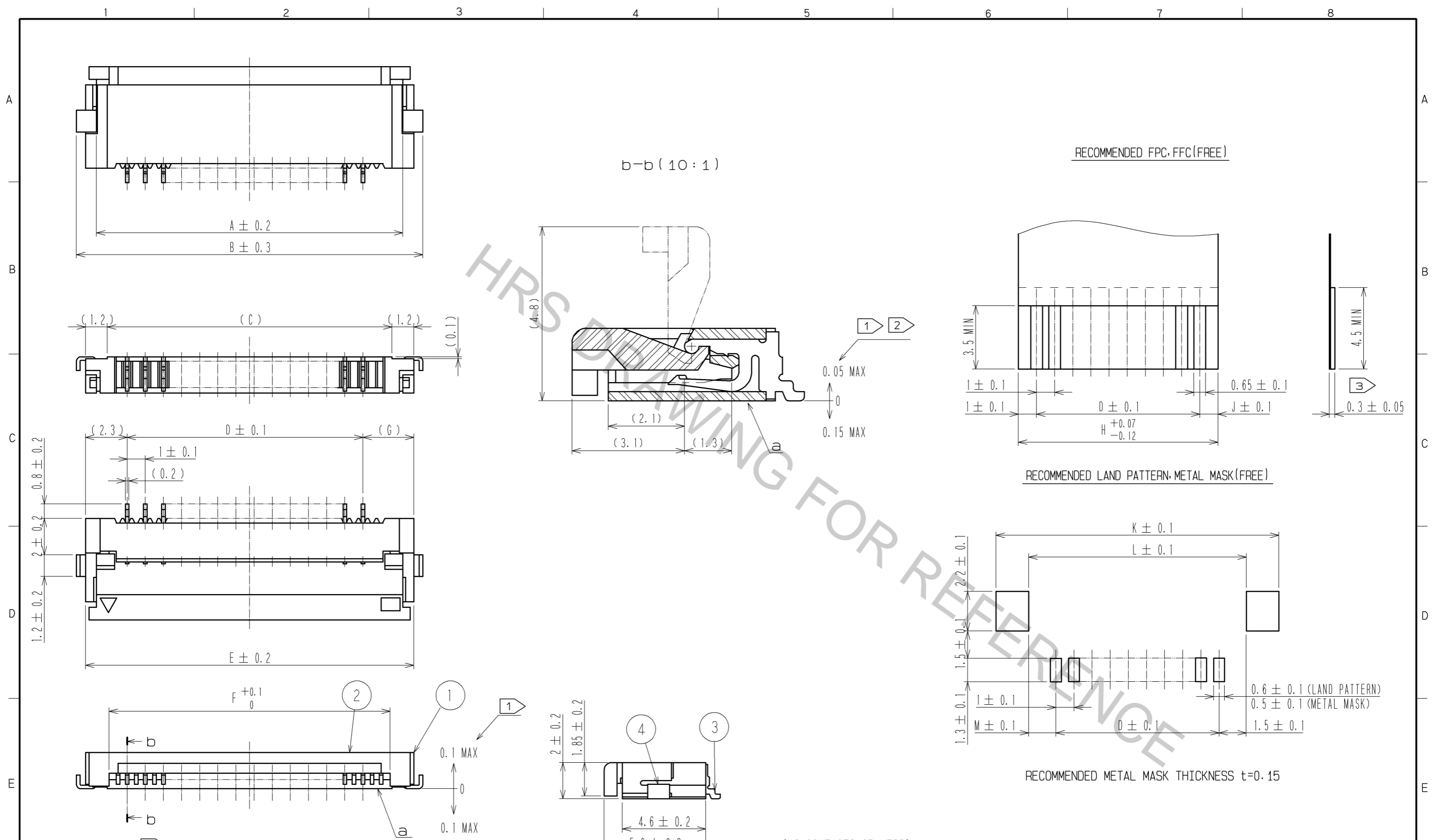


Apr.1.2017 Copyright 2017 HIROSE ELECTRIC CO., LTD. All Rights Reserved.

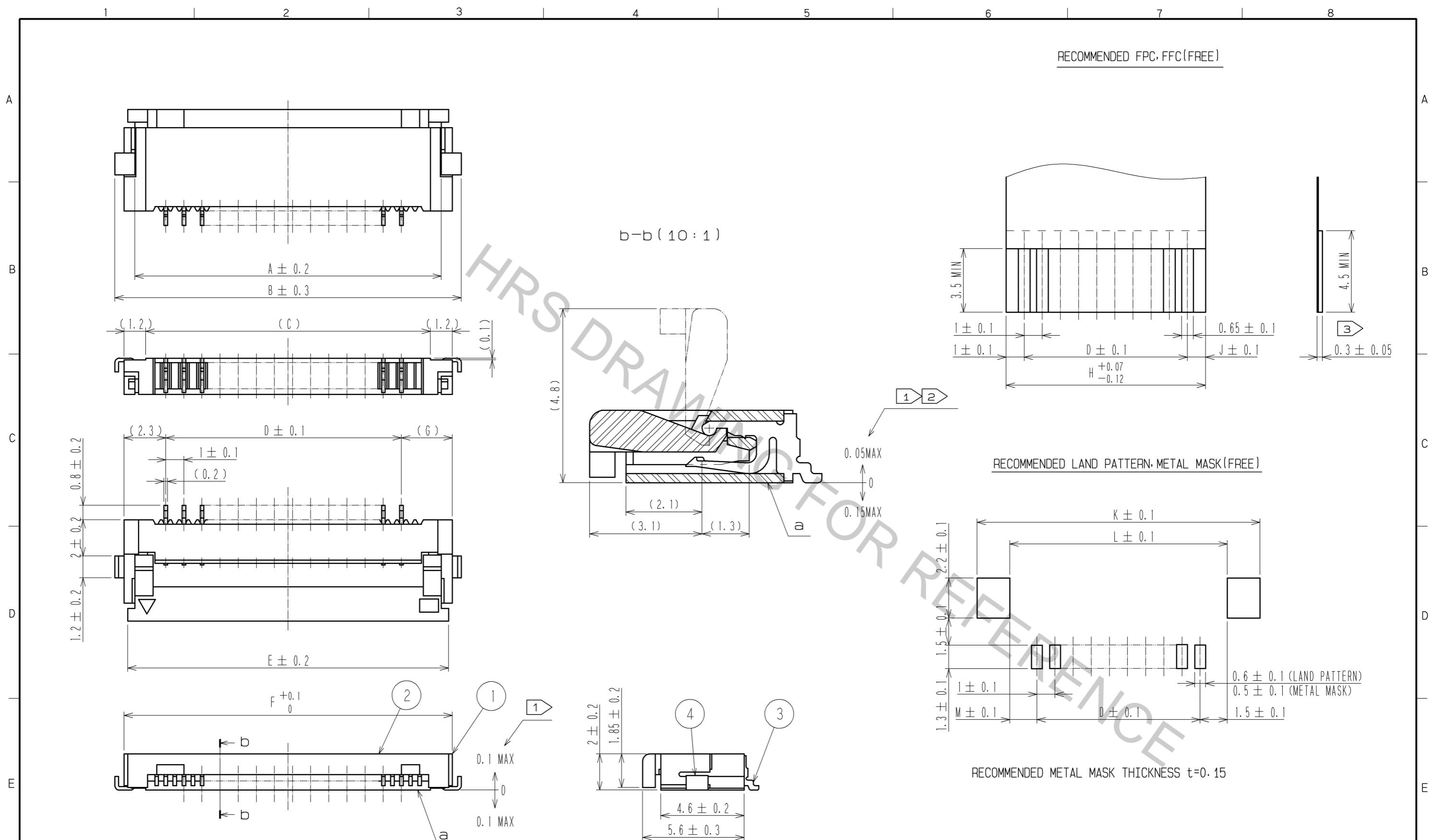


- NOTE
- ① REFERENCE IS a.
 - ② LEAD CO-PLANARITY SHALL BE 0.1 MAX.
 - ③ THICKNESS OF SUPPORTING TAPE SHALL BE 0.188(7.5mil) MIN.
 - ④ SEE DIMENSION TABLE IN THE APPENDIX.

<16 CONTACTS OR LESS>

2	PPS	(DEEP BROWN)UL94V-0	4	BRASS	TIN PLATING 1μm MIN-OVER NICKEL 1μm MIN.
1	POLYAMIDE	(BEIGE) UL94V-0	3	PHOSPHOR BRONZE	GOLD PLATING FLASH OVER NICKEL 1μm MIN.
NO.	MATERIAL	FINISH . REMARKS	NO.	MATERIAL	FINISH . REMARKS
UNITS	mm	SCALE	5 : 1	COUNT	9
DESCRIPTION OF REVISIONS		DESIGNED	CHECKED		
DIS-F-001245		MK. YASUMI	TN. KUWATA		
DATE		07.06.13			
APPROVED : MO. ISHIDA		05.01.05	DRAWING NO.		
CHECED : RI. TAKAYASU		05.01.05	EDC3-150545-51		
DESIGNED : TH. MURAI		05.01.05	PART NO.		
DRAWN : TH. MURAI		05.01.05	FH12-*(*)SA-1SH(55)		
			CODE NO.		
			CL586		

Apr.1.2017 Copyright 2017 HIROSE ELECTRIC CO., LTD. All Rights Reserved.



- NOTE
- ① REFERENCE IS a.
 - ② LEAD CO-PLANARITY SHALL BE 0.1 MAX.
 - ③ THICKNESS OF SUPPORTING TAPE SHALL BE 0.188(7.5mil) MIN.
 - ④ SEE DIMENSION TABLE IN THE APPENDIX.

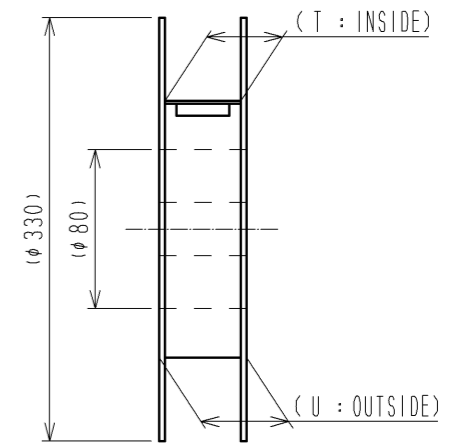
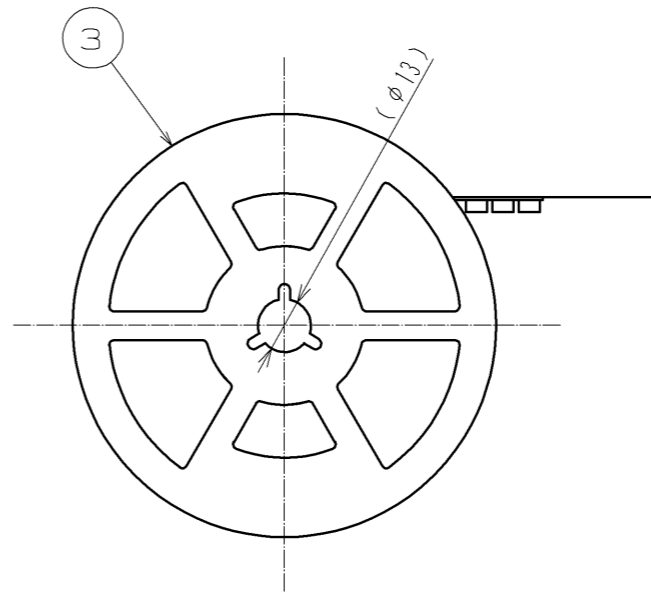
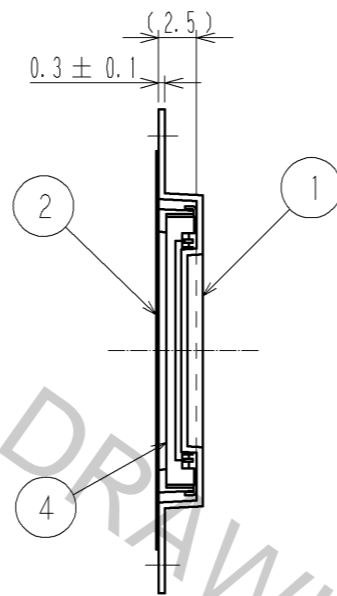
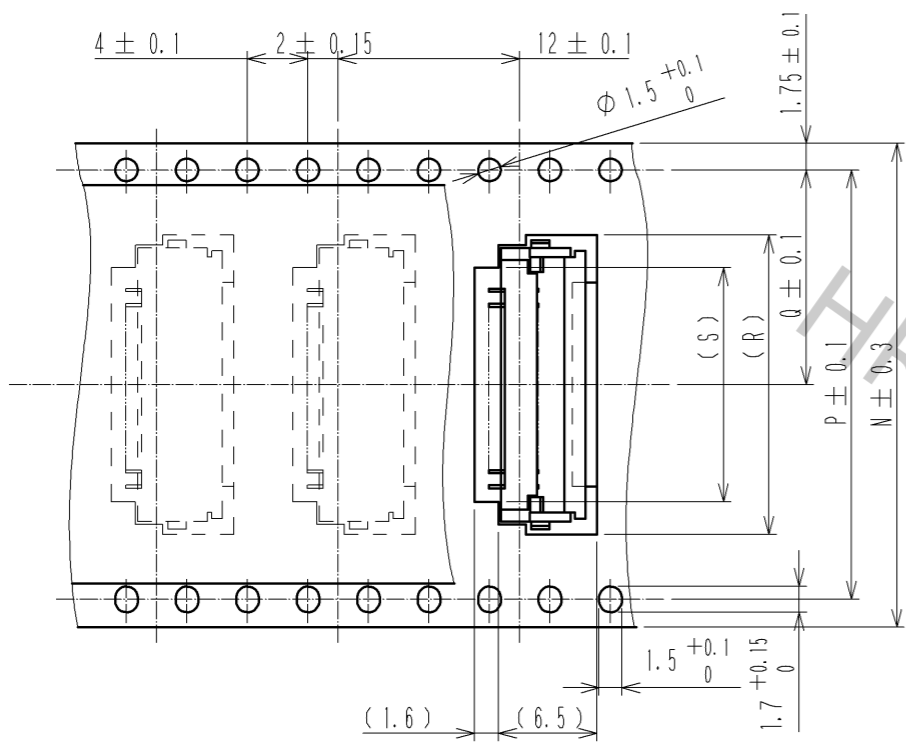
<17 CONTACT OR MORE>

NO.	MATERIAL	FINISH	REMARKS	NO.	MATERIAL	FINISH	REMARKS
2	PPS	(DEEP BROWN)	UL94V-0	4	BRASS	TIN PLATING 1μm MIN-OVER NICKEL 1μm MIN.	
1	POLYAMIDE	(BEIGE)	UL94V-0	3	PHOSPHOR BRONZE	GOLD PLATING FLASH OVER NICKEL 1μm MIN.	

UNITS	SCALE	COUNT	DESCRIPTION OF REVISIONS	DESIGNED	CHECKED	DATE
mm	5:1	9	DIS-F-001245	MK. YASUMI	TN. KUWATA	07.06.13

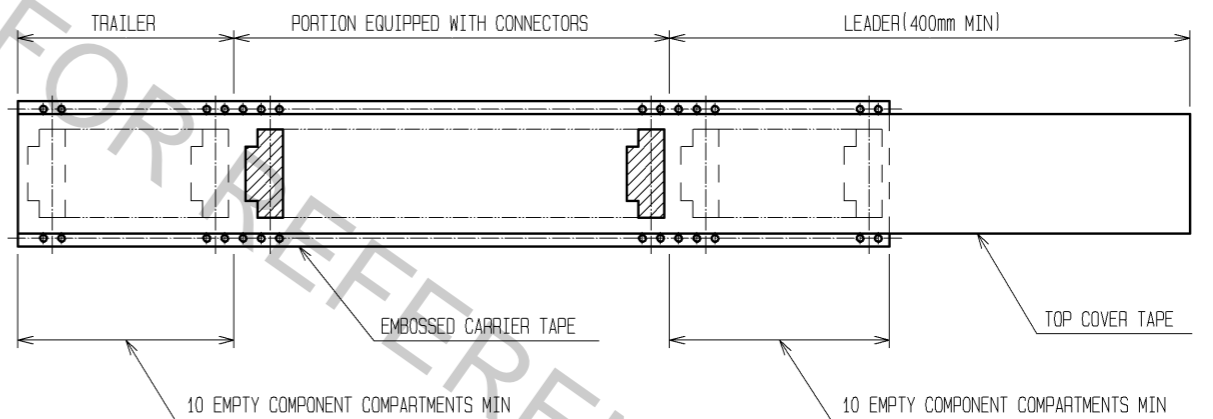
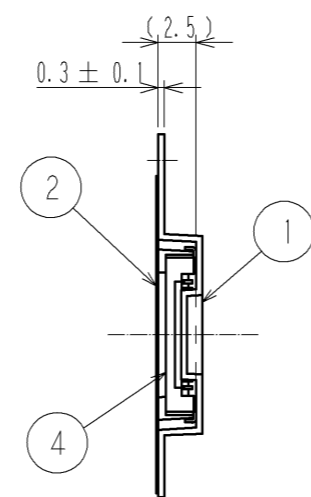
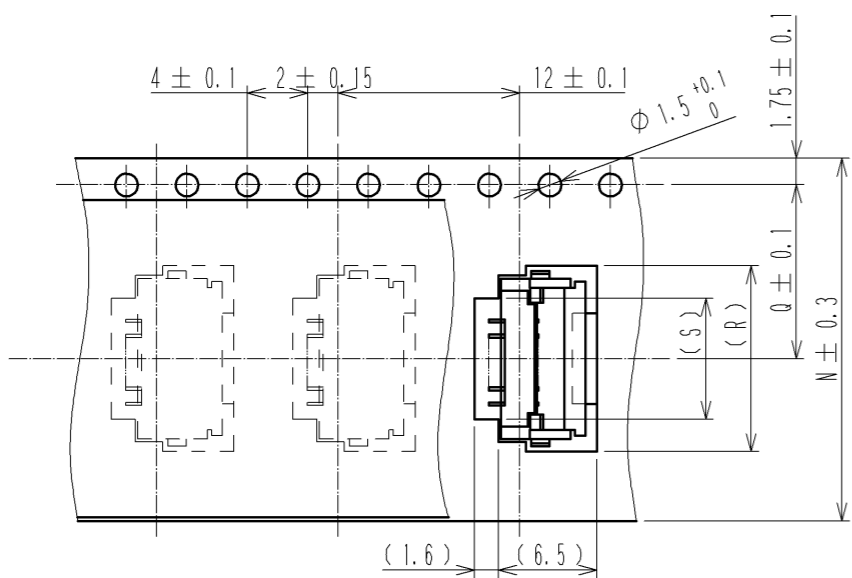
APPROVED	: MO. ISHIDA	05.01.05	DRAWING NO.	EDC3-150545-51
CHECKED	: RI. TAKAYASU	05.01.05	PART NO.	FH12-*(*)SA-1SH(55)
DESIGNED	: TH. MURAI	05.01.05	CODE NO.	CL586
DRAWN	: TH. MURAI	05.01.05		

TAPE WIDTH: 32mm MIN



△ REEL DIMENSION (SHOW AS BELOW)
(FREE)

TAPE WIDTH: 24mm MAX



- NOTE 1 THE DIMENSIONS IN PARENTHESES ARE FOR REFERENCE.
 2 1 REEL : 2000 CONNECTORS.
 3 SEE DIMENSION TABLE IN THE APPENDIX.

→
DIRECTION OF UNREELING

<DRAWING FOR PACKING>

2	POLYESTER		4	(CONNECTOR)	△		
1	POLYSTYRENE		3	POLYSTYRENE	△		
NO.	MATERIAL	FINISH . REMARKS	NO.	MATERIAL	FINISH . REMARKS		
UNITS	mm	SCALE	COUNT	DESCRIPTION OF REVISIONS	DESIGNED	CHECKED	DATE
		2 : 1	△	DIS-F-001245	MK. YASUMI	TN. KUWATA	07.06.13
APPROVED : MO. ISHIDA		05.01.05	DRAWING NO.		EDC3-150545-51		
CHECKED : RI. TAKAYASU		05.01.05	PART NO.		FH12-*(*)SA-1SH(55)		
DESIGNED : TH. MURAI		05.01.05	CODE NO.		CL586		
DRAWN : TH. MURAI		05.01.05			△ 3/4		

